





TMFG1000 in MDF with stopped-in White Lami glass. Projected jamb with inset door and Emtex® square barrel hinges.



CONTENTS

- Traditional Jamb** 2
 - Flat Jamb with Applied Stop 5
 - Double Rabbet Jamb 7
 - Single Rabbet Jamb 9
 - Traditional Jamb Specifications 10
- Modern Jamb** 12
 - Projected Jamb with Inset Door 15
 - Projected Jamb and Door 17
 - Flush-to-Wall Jamb 19
 - Flush-to-Wall Jamb with Reveal 21
 - Drywall Return Jamb 23
 - Single Rabbet Jamb Options 24
 - Modern Jamb Specifications 26
- Parts & Accessories** 28
 - TruStile Hinges 28
 - TruStile Accessories 29
 - Emtek Hinges 30
 - Simonswerk Tectus Concealed Hinges 32
 - Sill Options 34
- Jamb Assembly Specifications** 35
 - Single Unit 35
 - House-to-Garage Single Unit 36
 - Center Meet Pair Unit 37
 - T-Astragal Pair Unit 38

Traditional Jambs

TruStile has streamlined the ordering process and made it easy to design jamb solutions for every opening. Choose from stain-grade and paint-grade materials to match the doors and casing of your space.

Our traditional jambs are available pre-hung, or as a knockdown assembly, and are available with fire ratings. Choose from a variety of configurations including single or double rabbet jambs or flat jambs with applied stop.





Flat Jambs with Applied Stop

page 5




Double Rabbet Jambs

page 7



Single Rabbet Jambs

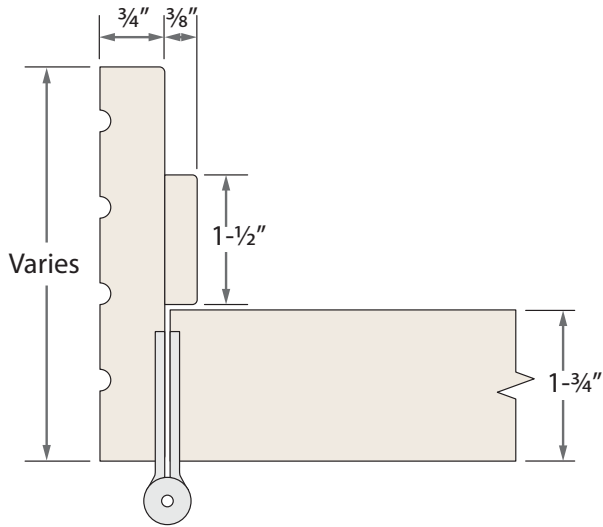
page 9



TS2060 in MDF with Roman Ogee (OG) sticking, Raised (A) panel, louver panel and Frosted glass. Flat jamb, in finger-jointed poplar, with applied stop.

Flat Jambs with Applied Stop

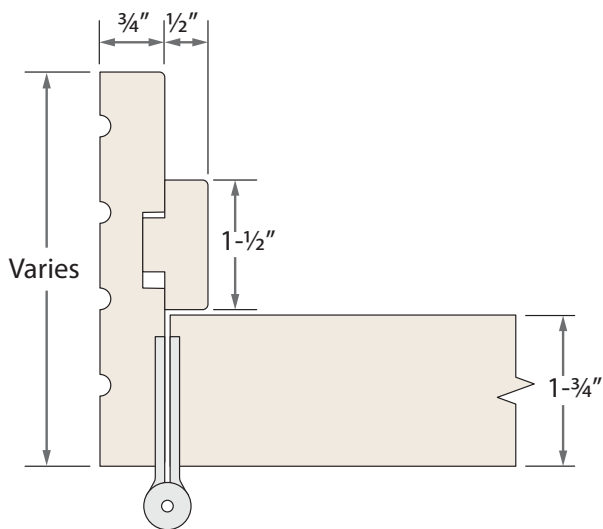
NON-RATED JAMBS



Flat Jamb with Square Edge
Bevel edge with radius available

Detailed information for our traditional jamb configurations, including jamb thickness, is available in the specification chart on page 10.

FIRE-RATED JAMBS



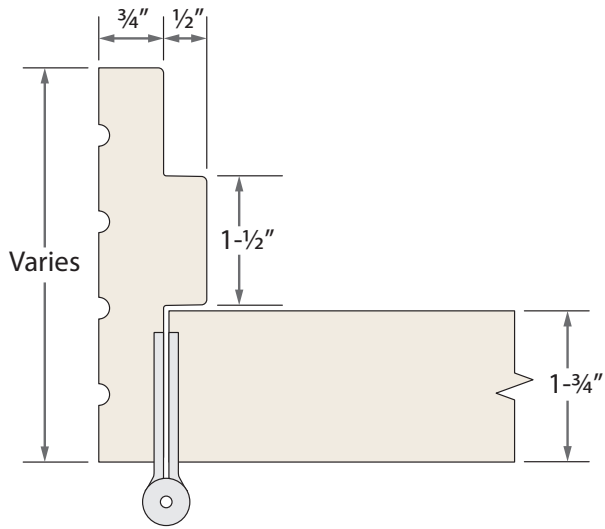
20-Minute, Flat Jamb with Square Edge
Bevel edge with radius available

VG1000 plank door in Hickory with Cappuccino finish, wide V-groove profile and matching double rabbet jamb



Double Rabbet Jambs

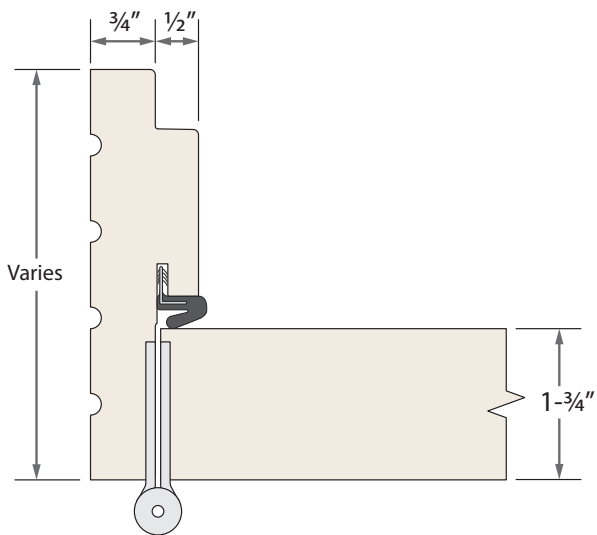
NON-RATED JAMBS



Double Rabbet Jamb with Square Edge
Bevel edge with radius available

Detailed information for our traditional jamb configurations, including jamb thickness, is available in the specification chart on page 10.

FIRE-RATED JAMBS



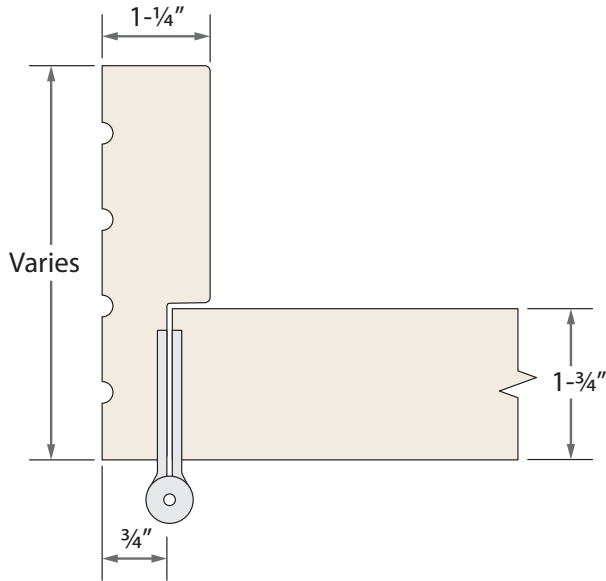
20-Minute, Double Rabbet Jamb with Square Edge
Bevel edge with radius available



TS4100 in walnut with White Lami glass and matching Walnut single rabbit jamb with weatherstripping

Single Rabbet Jambs

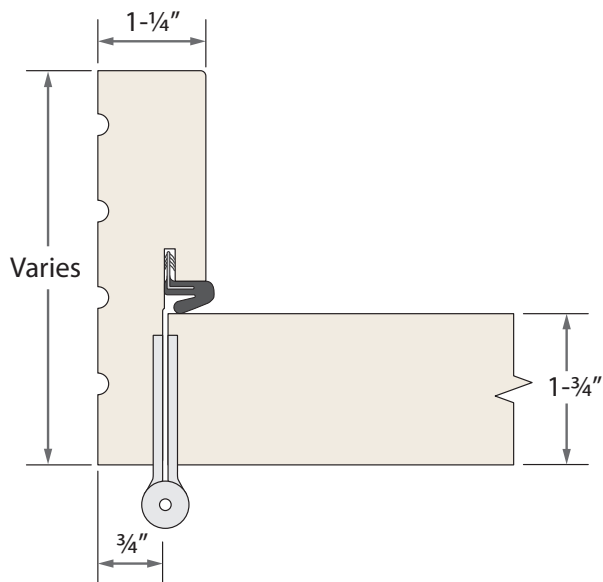
NON-RATED JAMBS



Single Rabbet Jamb with Square Edge
Bevel edge with radius available

Detailed information for our traditional jamb configurations, including jamb thickness, is available in the specification chart on page 10.

FIRE-RATED JAMBS



20-Minute, Single Rabbet Jamb with Square Edge
Bevel edge with radius available

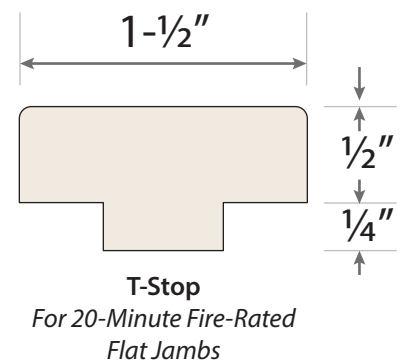
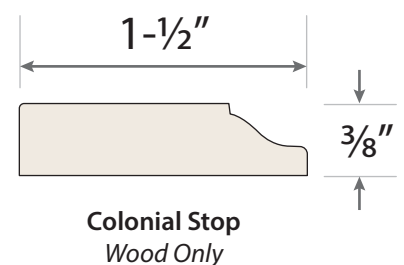
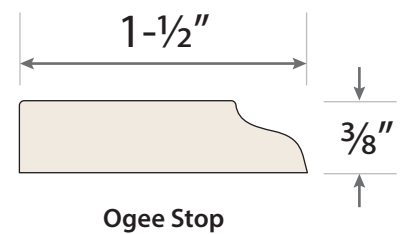
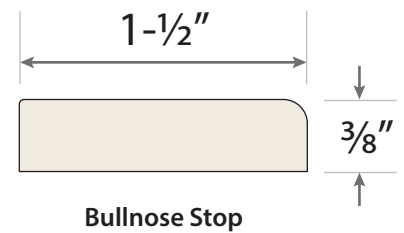
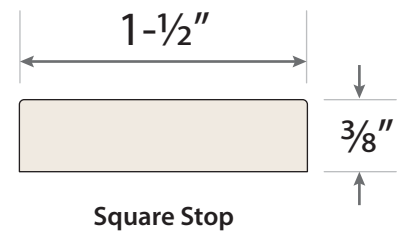
Traditional Jamb Specifications

Flat Jambs with Applied Stop

Jamb Thickness	3/4 or 1" (5/4 nominal)
Jamb Width	3-1/2" minimum up to 12"
Jamb Joinery	Rabbeted header Mitered stop
Door Thickness	1-3/8", 1-3/4", 2-1/4"
Jamb Material	
Paint-Grade	Primed finger-jointed poplar Primed solid poplar
Stain-Grade	Solid wood in all standard species
Weatherstripping	Not available
Sills	Not available
Fire Rating	20-minute (requires T-stop) 45, 60, 90-minute available
Jamb Assembly	Pre-hung* Knock-down**

Stop Profile Options

Stops available applied or loose



Traditional Jamb Specifications (continued)

	Double Rabbet Jambs	Single Rabbet Jambs
Jamb Thickness	¾" or 1" (5/4 nominal)	¾" or 1" (5/4 nominal)
Jamb Width	3-½" minimum up to 12"	3-½" minimum up to 12"
Jamb Joinery	Rabbeted header	Rabbeted header
Door Thickness	1-⅜", 1-¾", 2-¼"	1-⅜", 1-¾", 2-¼"
Jamb Material		
Paint-Grade	Primed solid poplar	Primed finger-jointed pine Primed solid poplar
Stain-Grade	Solid wood in all standard species	Solid wood in all standard species
Weatherstripping	Kerf-in weatherstripping available in black, bronze or white.	Kerf-in weatherstripping available in black, bronze or white.
Sills	See options on page 34	See options on page 34
Fire Rating	20-minute	20-minute 45, 60, 90-minute available
Jamb Assembly	Pre-hung* Knock-down**	Pre-hung* Knock-down**

* Pre-hung units are fully machined, assembled and ready to be installed.

** Knock-down jambs are fully machined, but must be assembled before installation.



Modern Jambs

The new TruStile modern casing-less door jamb configurations bring high-end, configurable designs that complete the look of modern openings for each of your projects. Discerning building professionals and their clients will appreciate the innovative options that create seamless lines and eliminate the need for casing around each door throughout the home.



Projected Jamb with Inset Door
page 15



Projected Jamb and Door
page 17



Flush-to-Wall with Jamb Reveal
page 21



Flush-to-Wall Jamb
page 19



Drywall Return Jamb
page 23

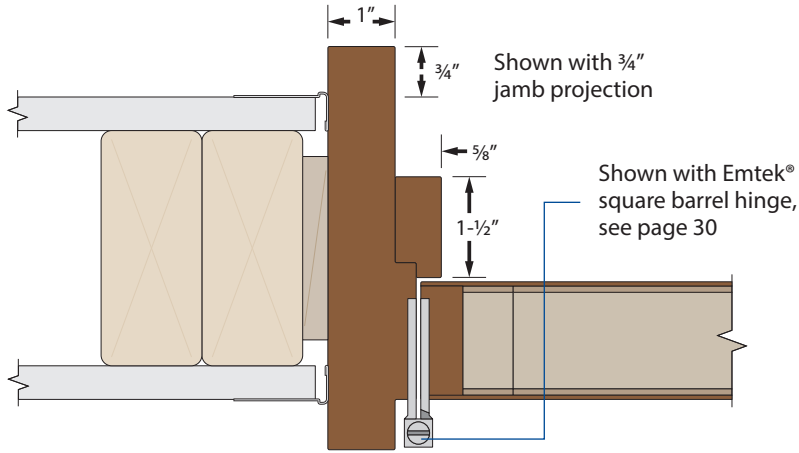


TMFG1000 in MDF with stopped-in White Lami glass. Projected jamb with inset door and Emtex® square barrel hinges.

Projected Jamb with Inset Door

Exposed jamb edge projects from wall with inset door that is flush to wall

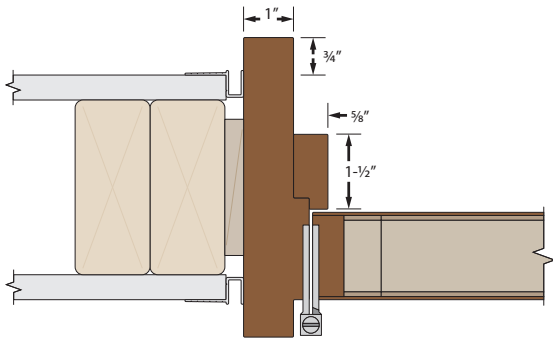
CONFIGURATION SHOWN ON PAGE 14



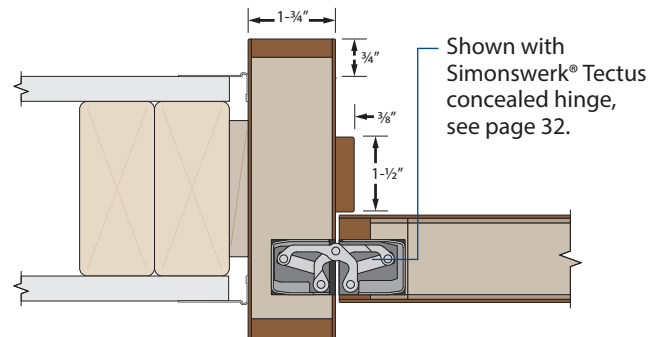
Jamb detail with L-bead trim and barrel hinge

Detailed information for all our modern jamb configurations, including jamb thickness, is available in the specification chart on page 26.

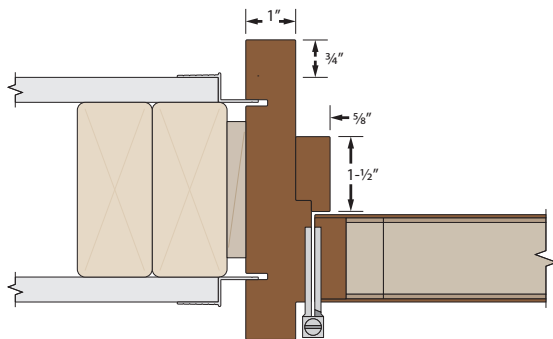
OTHER POSSIBLE CONFIGURATIONS



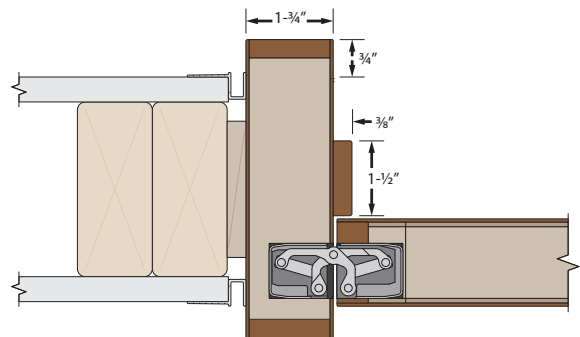
Jamb detail with F-reveal trim and barrel hinge



Jamb detail with L-bead trim and concealed hinge



Jamb detail with Z-reveal trim and barrel hinge



Jamb detail with F-reveal trim and concealed hinge

* On jambs with less than 3/4" projection, barrel hinges may project farther out than the jamb.

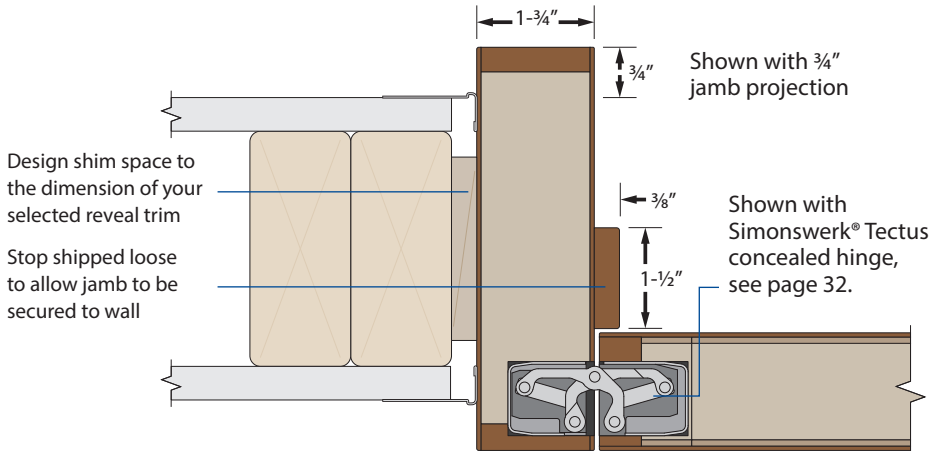


TMIR1014 in plain sawn White Oak with Bleached finish and 1/4" kerf cut detail. Projected jamb and door with concealed hinges.

Projected Jamb and Door

Exposed jamb edge projects from wall with door that sits flush to edge of jamb

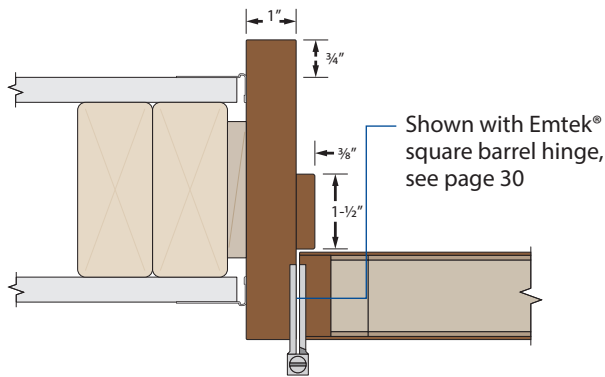
CONFIGURATION SHOWN ON PAGE 16



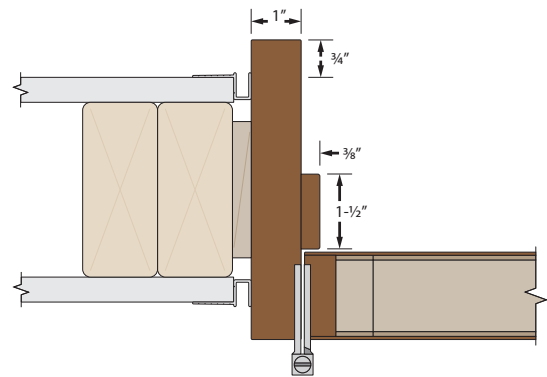
Jamb detail with L-reveal trim and concealed hinge
 Also available in single rabbet configuration, see page 24

Detailed information for all our modern jamb configurations, including jamb thickness, is available in the specification chart on page 26.

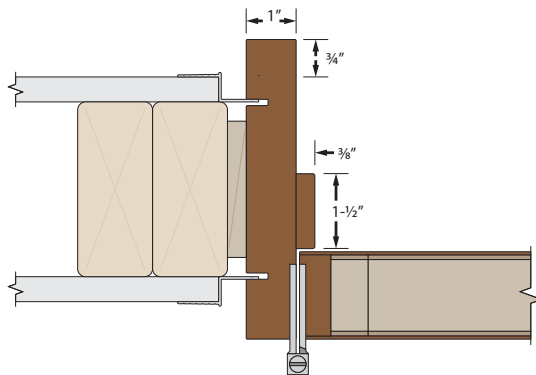
OTHER POSSIBLE CONFIGURATIONS



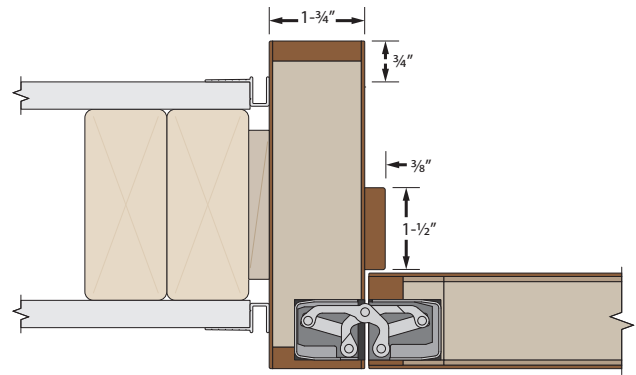
Jamb detail with Z-reveal trim and barrel hinge
 Also available in single rabbet configuration, see page 24



Jamb detail with F-reveal trim and concealed hinge
 Also available in single rabbet configuration, see page 24



Jamb detail with Z-reveal trim and barrel hinge
 Also available in single rabbet configuration, see page 24



Jamb detail with F-reveal trim and concealed hinge
 Also available in single rabbet configuration, see page 24

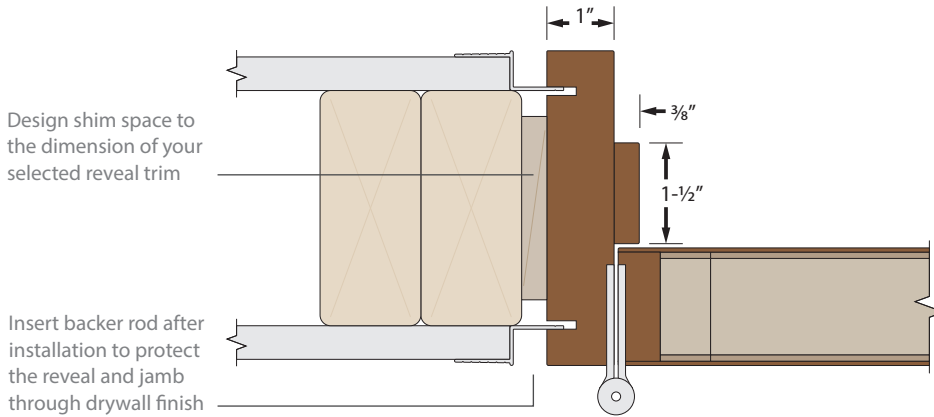


TMIR3200 in Mahogany with Espresso finish and 1/2" brushed brass inlay. Flush-to-wall jamb with 1/2" Z-reveal trim

Flush-to-Wall Jamb

Exposed jamb edge with door and jamb flush to wall

CONFIGURATION SHOWN ON PAGE 18

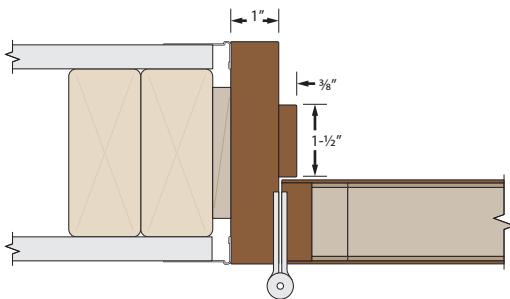


Detailed information for all our modern jamb configurations, including jamb thickness, is available in the specification chart on page 26.

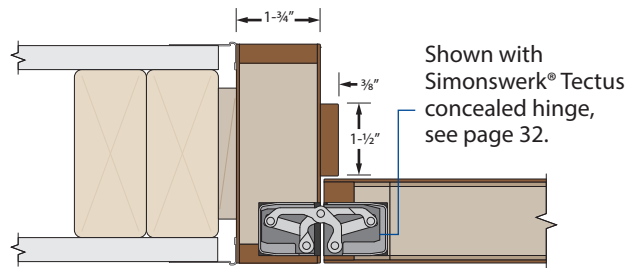
Jamb detail with Z-reveal trim and barrel hinge

Also available in single rabbet configuration, see page 24. Backside kerf requires minimum 1" thickness. A similar look can be obtained, without backside kerf, with a flush-to-wall jamb with reveal, see page 21

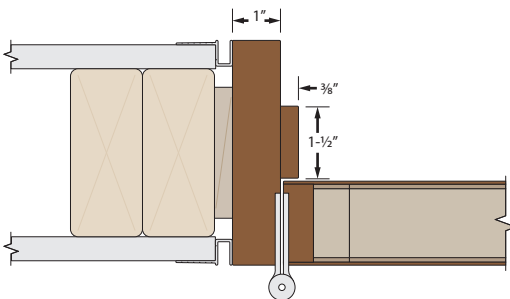
OTHER POSSIBLE CONFIGURATIONS



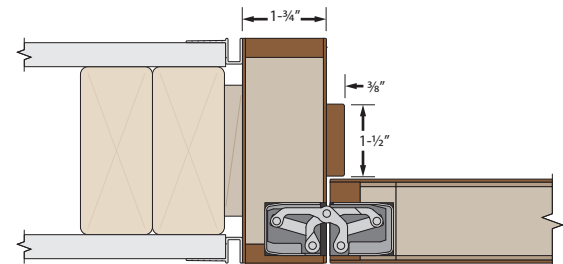
Jamb detail with L-bead trim and barrel hinge
Also available in single rabbet configuration, see page 24



Jamb detail with L-bead trim and concealed hinge
Also available in single rabbet configuration, see page 24



Jamb detail with F-reveal trim and barrel hinge
Also available in single rabbet configuration, see page 24



Jamb detail with F-reveal trim and concealed hinge
Also available in single rabbet configuration, see page 24

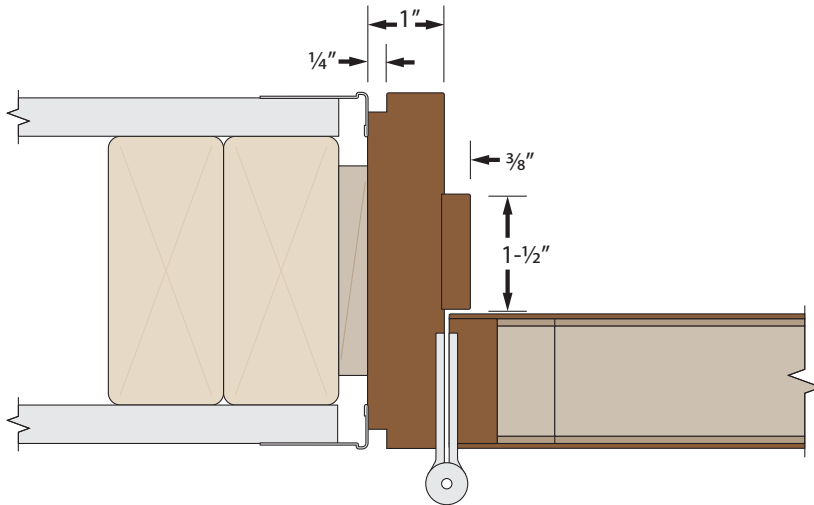


TMFG2012 in Mahogany with
Slate finish and stopped-in
White Lami glass. Flush-to-wall
jamb with reveal

Flush-to-Wall Jamb with Reveal

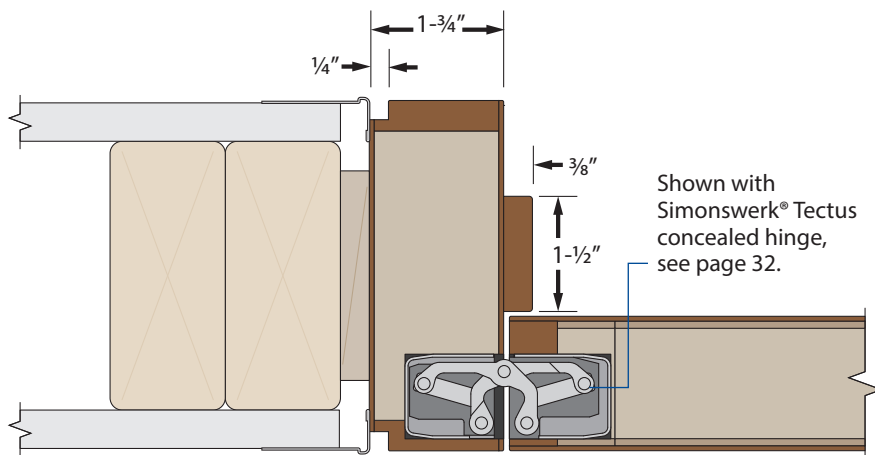
Exposed jamb edge with built-in reveal, door and jamb flush to wall

CONFIGURATION SHOWN ON PAGE 20



Jamb detail with L-bead trim and barrel hinge
Also available in single rabbet configuration, see page 24

OTHER POSSIBLE CONFIGURATIONS

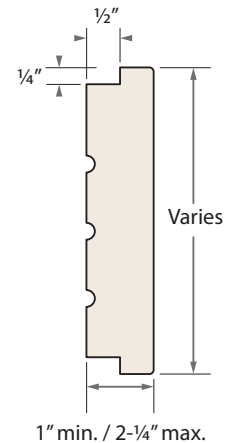
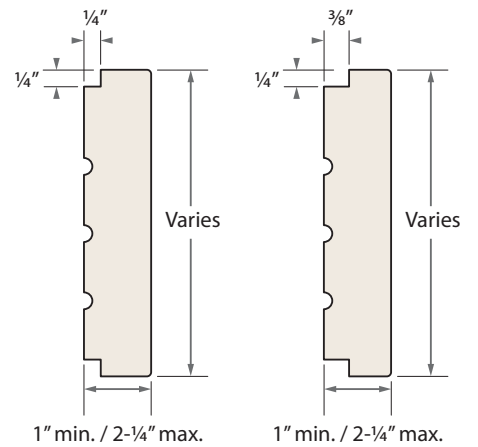


Jamb detail with L-bead trim and concealed hinge
Also available in single rabbet configuration, see page 24

Detailed information for all our modern jamb configurations, including jamb thickness, is available in the specification chart on page 26.

REVEAL OPTIONS

Flush-to-wall jambs are available with the 1/4", 3/8" or 1/2" reveals shown below.



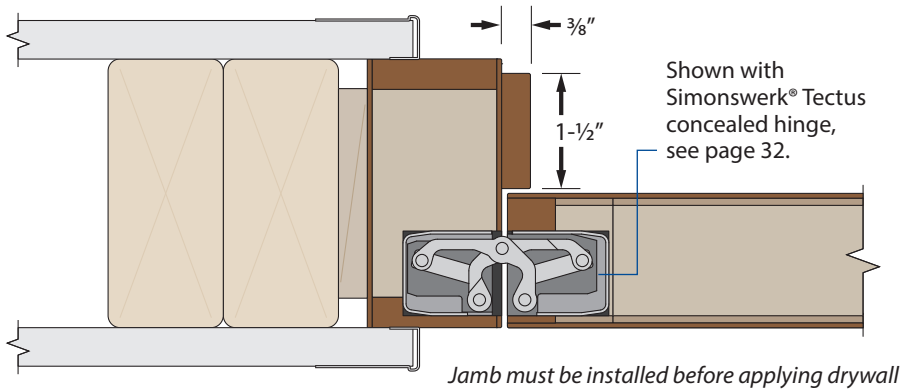


TS4100 in MDF with S4S two-tiered applied moulding with Flat (C) panel. Drywall return jamb.

Drywall Return Jamb

Semi-concealed jamb edge with door and jamb recessed in wall

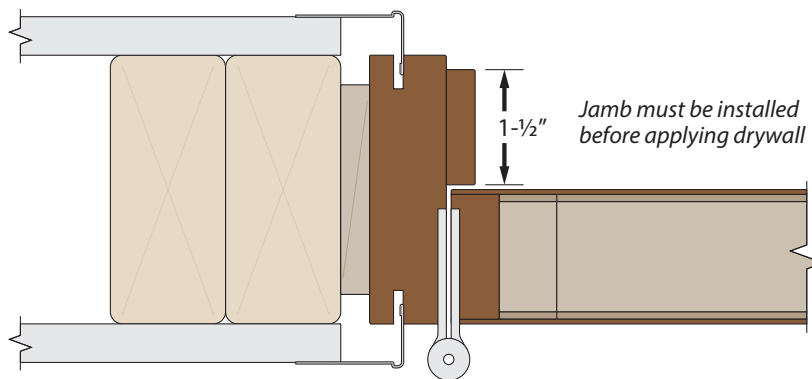
CONFIGURATION SHOWN ON PAGE 22



Detailed information for all our modern jamb configurations, including jamb thickness, is available in the specification chart on page 26.

Jamb detail of drywall return jamb with concealed hinge
Drywall kerf not available with concealed hinge

OTHER POSSIBLE CONFIGURATIONS

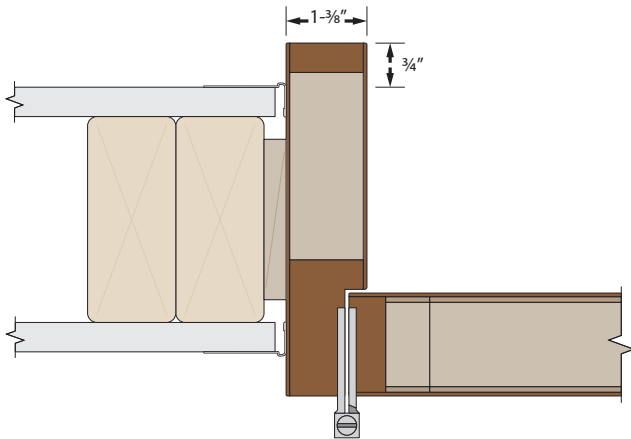


Jamb detail of drywall return jamb with barrel hinge
Shown with drywall kerf

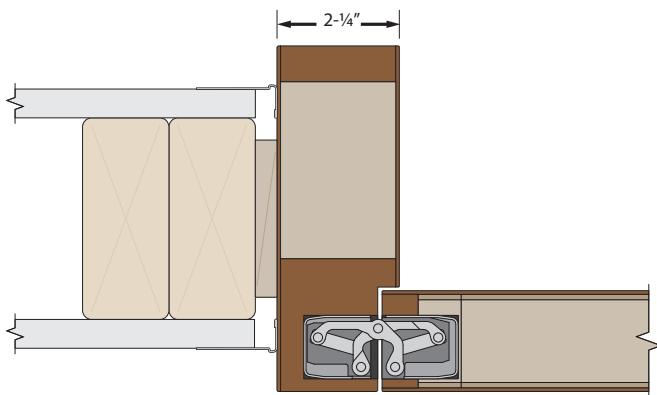
Single Rabbet Jamb Options

TruStile offers some of our modern jamb configurations in Single Rabbet configurations. The Projected Jamb options displayed to the lower left are available for non-rated openings. The Flush-to-Wall options shown to the right can be configured for non-rated openings or 20-minute house-to-garage openings.

PROJECTED JAMB AND DOOR (AVAILABLE FOR NON-RATED ONLY)



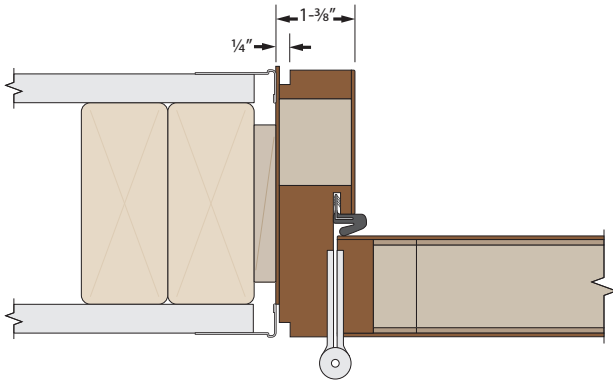
Jamb detail with L-bead trim and barrel hinge



Jamb detail with L-bead trim and concealed hinge

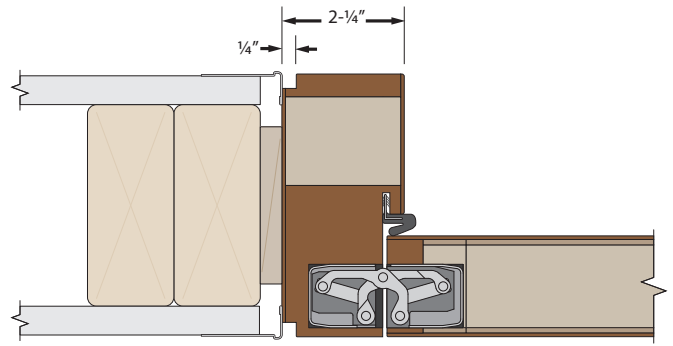
Detailed information for all our modern jamb configurations, including jamb thickness, is available in the specification chart on page 26.

FLUSH-TO-WALL JAMB WITH REVEAL (AVAILABLE WITH A 20-MINUTE FIRE RATING)



Jamb detail with L-bead trim and barrel hinge

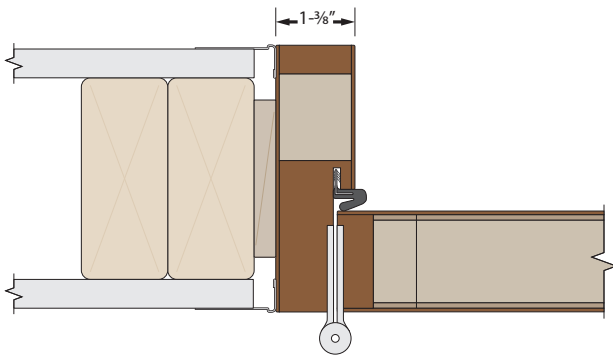
This option is available for 20-minute house-to-garage applications; minimum wall depth applies.



Jamb detail with L-bead trim and concealed hinge

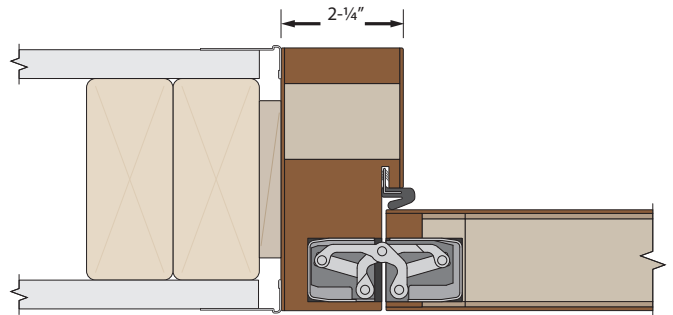
This option is available for 20-minute house-to-garage, natural wood door applications. Minimum wall depth and self-closer may be required.

FLUSH-TO-WALL JAMB (AVAILABLE WITH A 20-MINUTE FIRE RATING)



Jamb detail with L-bead trim and barrel hinge

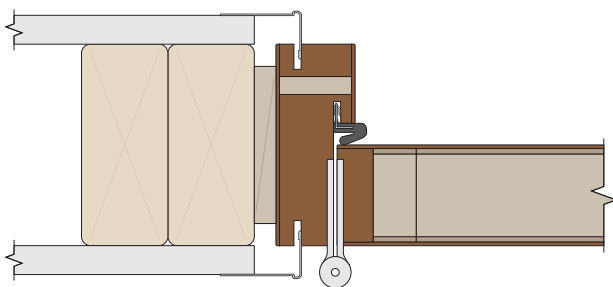
This option is available for 20-minute house-to-garage applications



Jamb detail with L-bead trim and concealed hinge

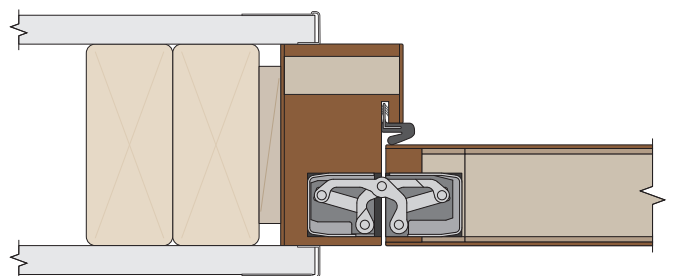
This option is available for 20-minute house-to-garage, natural wood door applications. Minimum wall depth and self-closer may be required.

DRYWALL RETURN JAMB (AVAILABLE WITH A 20-MINUTE FIRE RATING)



Jamb detail with L-bead trim and barrel hinge

This option is available for 20-minute house-to-garage applications



Jamb detail with L-bead trim and concealed hinge

This option is available for 20-minute house-to-garage, natural wood door applications. Minimum wall depth and self-closer may be required.

Modern Jamb Specifications

	Projected Jamb and Inset Door	Projected Jamb and Door
Door Thickness	1-3/4", 2-1/4"	1-3/4", 2-1/4"
Jamb Thickness		
Barrel Hinges	1" (5/4 nominal)	1" (5/4 nominal)
Concealed Hinges	1-3/8" – 2-1/4"	1-3/8" – 2-1/4"
Single Rabbet Thickness	Adds 1/2" to one side of jamb thickness	Adds 1/2" to one side of jamb thickness
Jamb Width	3-1/2" minimum up to 9"	3-1/2" minimum up to 12"
Jamb Construction		
1" thickness	Solid wood	Solid wood
> 1" thickness	Solid wood with engineered core	Solid wood with engineered core
Jamb Joinery		
1" thickness	Rabbeted header Mitered stop	Rabbeted header Mitered stop
> 1" thickness	Butt joint header Butt joint stop	Butt joint header Butt joint stop
Jamb Projection	1/4", 1/2", 3/4"	1/4", 1/2", 3/4"
Reveal Size	•	•
Door Swing		
Barrel Hinges	< 180° [2]	180°
Concealed Hinges	90°	180°
Material Options		
Paint-Grade	Primed solid poplar	Primed solid poplar
Stain-Grade	Solid wood in all standard species	Solid wood in all standard species
Fire Rating	Not available	Not available
Jamb Assembly	Knock-down [4]	Knock-down [4]

Modern Jamb Specifications (continued)

	Flush-to-Wall Jamb	Flush-to-Wall Jamb with Reveal	Drywall Return Jamb
Door Thickness	1-3/4", 2-1/4"	1-3/4", 2-1/4"	1-3/4", 2-1/4"
Jamb Thickness			
Barrel Hinges	1" – 2-1/4"	1" (5/4 nominal)	1" (5/4 nominal)
Concealed Hinges	1-3/8" – 2-1/4" ^[1]	1-3/8" – 2-1/4" ^[1]	1-3/8" – 2-1/4" ^[1]
Single Rabbet Thickness	Adds 1/2" to one side of jamb thickness	Adds 1/2" to one side of jamb thickness	Adds 1/2" to one side of jamb thickness
Jamb Width	3-1/2" minimum up to 12"	3-1/2" minimum up to 9"	3-1/2" minimum up to 12"
Jamb Construction			
1" thickness	Solid wood	Solid wood	Solid wood
> 1" thickness	Solid wood with engineered core	Solid wood with engineered core	Solid wood with engineered core
Jamb Joinery			
1" thickness	Rabbeted header Mitered stop	Butt joint header Butt joint stop	Rabbeted header Mitered stop
> 1" thickness	Butt joint header Butt joint stop	Butt joint header Butt joint stop	Butt joint header Butt joint stop
Jamb Projection	•	•	•
Reveal Size	•	1/4", 3/8", 1/2" see "Reveal Options" on page 21 for detail	•
Door Swing			
Barrel Hinges	180°	180°	~ 180° ^[2]
Concealed Hinges	180°	180°	180°
Material Options			
Paint-Grade	Primed solid poplar	Primed solid poplar	Primed solid poplar
Stain-Grade	Solid wood in all standard species	Solid wood in all standard species	Solid wood in all standard species
Fire Rating	20-minute ^[3]	20-minute ^[3]	Not Available
Jamb Assembly	Knock-down ^[4]	Knock-down ^[4]	Knock-down ^[4]

¹ Depending on jamb thickness and reveal size, concealed hinge may protrude through backside of jamb.

² Hinge selection, jamb thickness and location of drywall return may not allow for a full 180° door swing.

³ Fire-rated jambs with concealed hinges have limited thickness options, see TruQuote® for detail.

⁴ Knock-down jambs are fully machined, but must be assembled before installation.

TruStile® Hinges

BALL BEARING HINGES

TruStile offers architectural-grade, square corner, ball bearing, plated steel hinges custom built to its specifications.

- UL listed spring hinges are available in 4" and 4-½" sizes for openings requiring a self-closing mechanism, such as house-to-garage applications.
- Disposable "throw away" hinges are available in all sizes.

Door Thickness	1-3/8"	1-3/4"	2-1/4"
Hinge Size	3-1/2" x 3-1/2"	4" x 4"	4-1/2" x 4-1/2"
Hinge Count			
Doors up to 7'0"	3	3	3
Doors 7'0" – 8'0"	4	4	4
Doors 8'0" – 10'0"	N/A	5	5



TRUSTILE HINGE FINISH OPTIONS



US3 Bright Brass



US4 Brushed Brass



US5 Antique Brass



US10a Antique Bronze



US10B Oil-Rubbed Bronze



US14 Polished Nickel



US15 Satin Nickel



US15a Antique Nickel



US19 Flat Black



US26 Polished Chrome



US26D Satin Chrome

TruStile Accessories



HAGER® BALL CATCH #1447

Drive in ball catch, with included strike, can be adjusted for door and frame clearance. Available on single doors and center-meet pairs.

Material: Zinc housing, brass strike, and plated steel ball.

Available finishes: US3, US4, US5, US10A, US10, US10R, US15, US15A, US19, US26, US26D

EMTEK® ROLLER LATCH #8801

Mortised, heavy duty, adjustable roller latch with included strike. Available on single doors and center-meet pairs.

Available finishes:

Satin Nickel, French Antique, Polished Chrome, Polished Nickel, Polished Brass (Lifetime), Unlacquered Brass, Satin Brass, Tumbled White Bronze, Medium Bronze, Oil-,Rubbed Bronze, Pewter, Flat Black



PRECISION™ PLS 24PRO MAGNETIC CATCH

Discrete, concealed magnetic catch holds doors closed. Opens and closes smoothly and without noise. Magnetic strength is adjustable by use of included shims. Available on single doors and center-meet pairs.

HAGER® 281D SLIDE FLUSH BOLT / HAGER® 282D MANUAL FLUSH BOLT

Double action spring design provides automatic holding of bolt in projected or retracted position. Available on T-astragal pairs with option to mount on top of door, or top and bottom of door

Material: Brass, bronze faceplate with steel components

Available finishes: US3, US4, US5, US9, US10, US10B, US15, US15A, US19, US26, US26D

Slide bolt length:* 6"

Manual flush bolt lengths:* 12", 18", 24", 30", 36"

* Measured from top of door to center of flushbolt lever



Emtek® Hinges



HEAVY DUTY SOLID BRASS, BALL BEARING HINGES

Available sizes: 3-1/2" x 3-1/2"
4" x 4"
4-1/2" x 4-1/2"

Corner shapes: Square
1/4" Radius
5/8" Radius



HEAVY DUTY PLATED STEEL, BALL BEARING HINGES

Available sizes: 3-1/2" x 3-1/2"
4" x 4"
4-1/2" x 4-1/2"

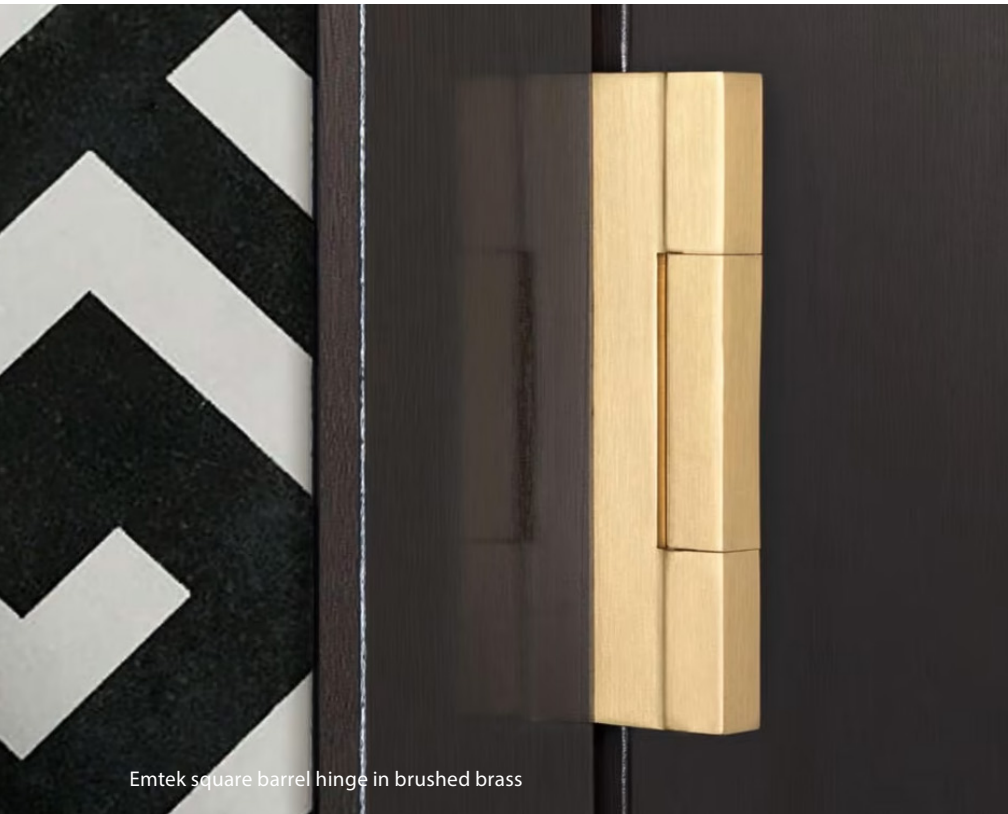
Corner shapes: Square
1/4" Radius
5/8" Radius



PLATED STEEL, UL LISTED SPRING HINGES

Available sizes: 3-1/2" x 3-1/2"
4" x 4"

Corner shapes: Square
1/4" Radius
5/8" Radius



Emtek square barrel hinge in brushed brass

HEAVY DUTY, SQUARE BARREL SOLID BRASS HINGES

Available sizes: 3-1/2" x 3-1/2"
4" x 4"
4-1/2" x 4-1/2"

Leaf thickness: 1/8"

COORDINATING HINGE TIPS

Available for heavy duty, solid brass, ball bearing hinges only.



Select Knurled
Hinge Tips



Select Faceted
Hinge Tips



Select Straight
Knurled Hinge Tips



Brass Steeple
Hinge Tips



Brass Ball
Hinge Tips



Button
Hinge Tips

EMTEK® HINGE FINISHES OPTIONS

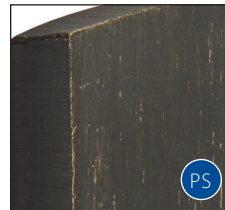
Finishes may not be available across all Emtek hardware.

Solid Brass Finishes

US10B Oil-Rubbed Bronze
US14 Polished Nickel
US15 Satin Nickel
US15A Antique Nickel
US19 Flat Black
US26 Polished Chrome
US3 Polished Brass
US3NL Unlacquered Brass
US4 Satin Brass
US7 French Antique

Plated Steel Finishes

Medium Bronze
Tumbled White Bronze
US10B Oil-Rubbed Bronze
US14 Polished Nickel
US15 Satin Nickel
US15A Antique Nickel
US19 Flat Black
US26 Polished Chrome
US3 Polished Brass
US4 Satin Brass
US7 French Antique



Medium Bronze



Tumbled White Bronze



US10B Oil-Rubbed Bronze



US14 Polished Nickel



US15 Satin Nickel



US15A Antique Nickel



US19 Flat Black



US26 Polished Chrome



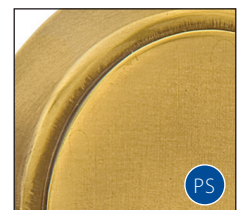
US3 Polished Brass



US3NL Unlacquered Brass



US4 Satin Brass



US7 French Antique

TruStile also offers hinges from other manufacturers such as Baldwin and PBB.

Simonswerk® Tectus Concealed Hinges



Simonswerk Tectus concealed hinges offer a sleek, clean look perfect for today's modern interiors. These precision hinges are fully adjustable in three dimensions, making it simple to create a perfect margin between the door and frame.

Our concealed hinge offering is available on any of our 1-3/4" or 2-1/4" doors and provides a complete solution: precision-machined door, fully prepped ready-to-assemble jamb and choice of Tectus hinges. Not available on pre-hung units.

SPECIFICATIONS

	Tectus TE 340 3D	Tectus TE 540 3D
Load Capacity	80 kg (176 lbs)	120 kg (264 lbs)
Minimum Door Thickness	Minimum 1-3/4"	Minimum 1-3/4"
Minimum Jamb Thickness *		
Traditional Flat Jamb	Minimum 1-3/8"	Minimum 1-1/2"
Projected Jamb w/Inset Door	Minimum 1-3/8"	Minimum 1-1/2"
Projected Jamb w/Outset Door	Minimum 1-3/8"	Minimum 1-1/2"
Flush-to-Wall Jamb	Minimum 1-3/8"	Minimum 1-1/2"
Flush-to-Wall Jamb with Reveal	1/4" Reveal: Minimum 1-5/8" 3/8" Reveal: Minimum 1-3/4" 1/2" Reveal: Minimum 1-7/8"	1/4" Reveal: Minimum 1-3/4" 3/8" Reveal: Minimum 1-7/8" 1/2" Reveal: Minimum 2"
Length	160.0 mm (6.299")	200.0 mm (7.874")
Width	28.0 mm (1.102")	32.0 mm (1.260")
Opening Angle	180° degree	180° degree
Adjustable	Adjustable in three dimensions: side +/- 3.0 mm (0.118") height +/- 3.0 mm (0.118") compression +/- 1.0 mm (0.039")	Adjustable in three dimensions: side +/- 3.0 mm (0.118") height +/- 3.0 mm (0.118") compression +/- 1.0 mm (0.039")
Maintenance-free slide bearings	Yes	Yes

* Minimums show size needed to insure full hinge body fits withing jamb.

SIMONSWERK HINGE FINISH OPTIONS



Matte Black
(107)



Rustic Umber
(156)



Satin Nickel Look
(125)



Satin Nickel
(144)



Polished Nickel
(038)



Satin Chrome
Look (124)



Satin Chrome
(146)



Stainless Steel
Look (126)



Light Bronze
Finish (175)



Bronze Finish
(174)



Bronze Metallic
(168)



Dark Bronze
Finish (176)



Traffic White
(070)



Satin Brass
(047)

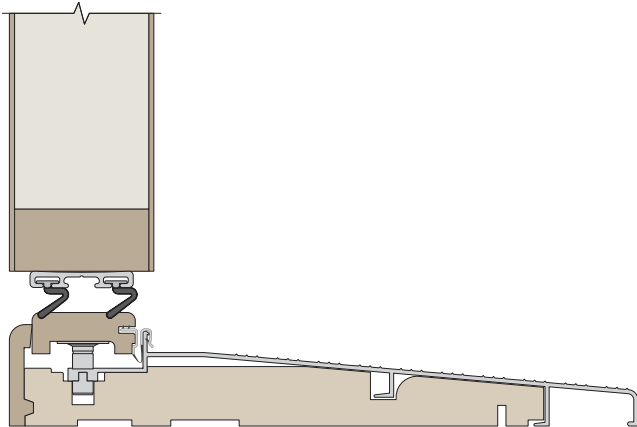


Polished Brass
(030)

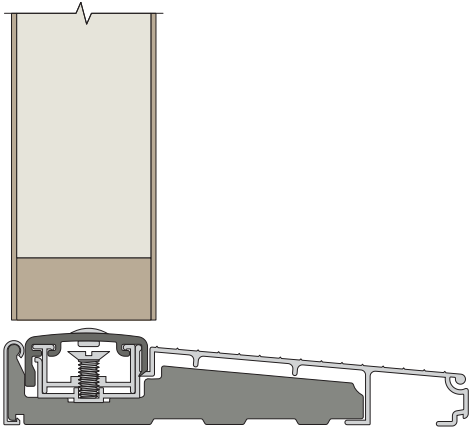
Sill Options

NON-RATED SILLS

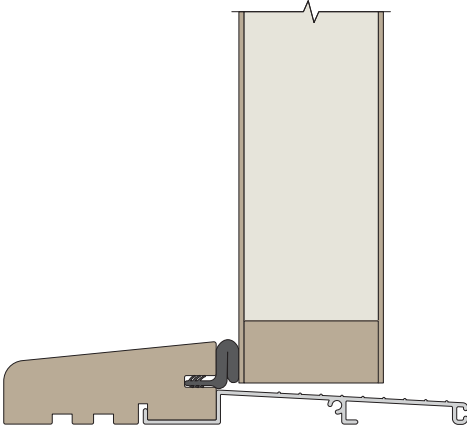
FIRE-RATED SILLS



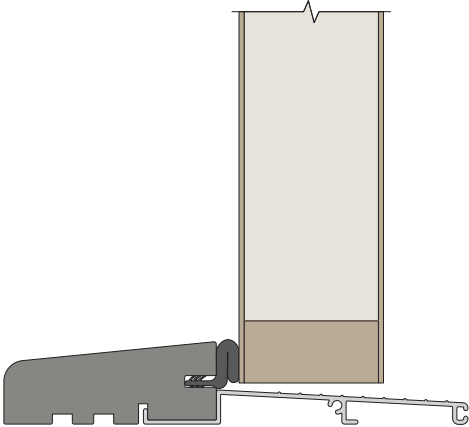
Oak Adjustable Sill (non-rated)



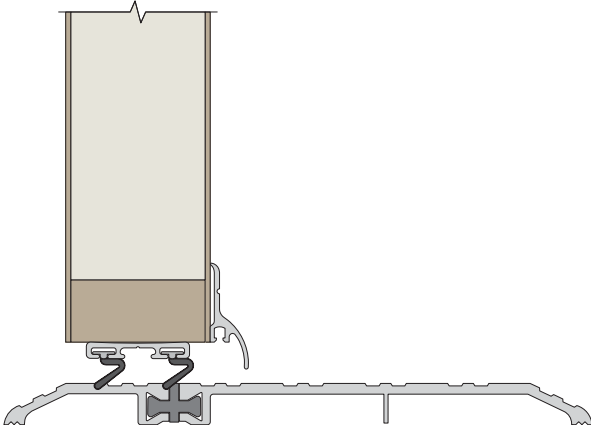
UL Listed Composite Adjustable Sill



Solid Oak Top Outswing Sill (non-rated)



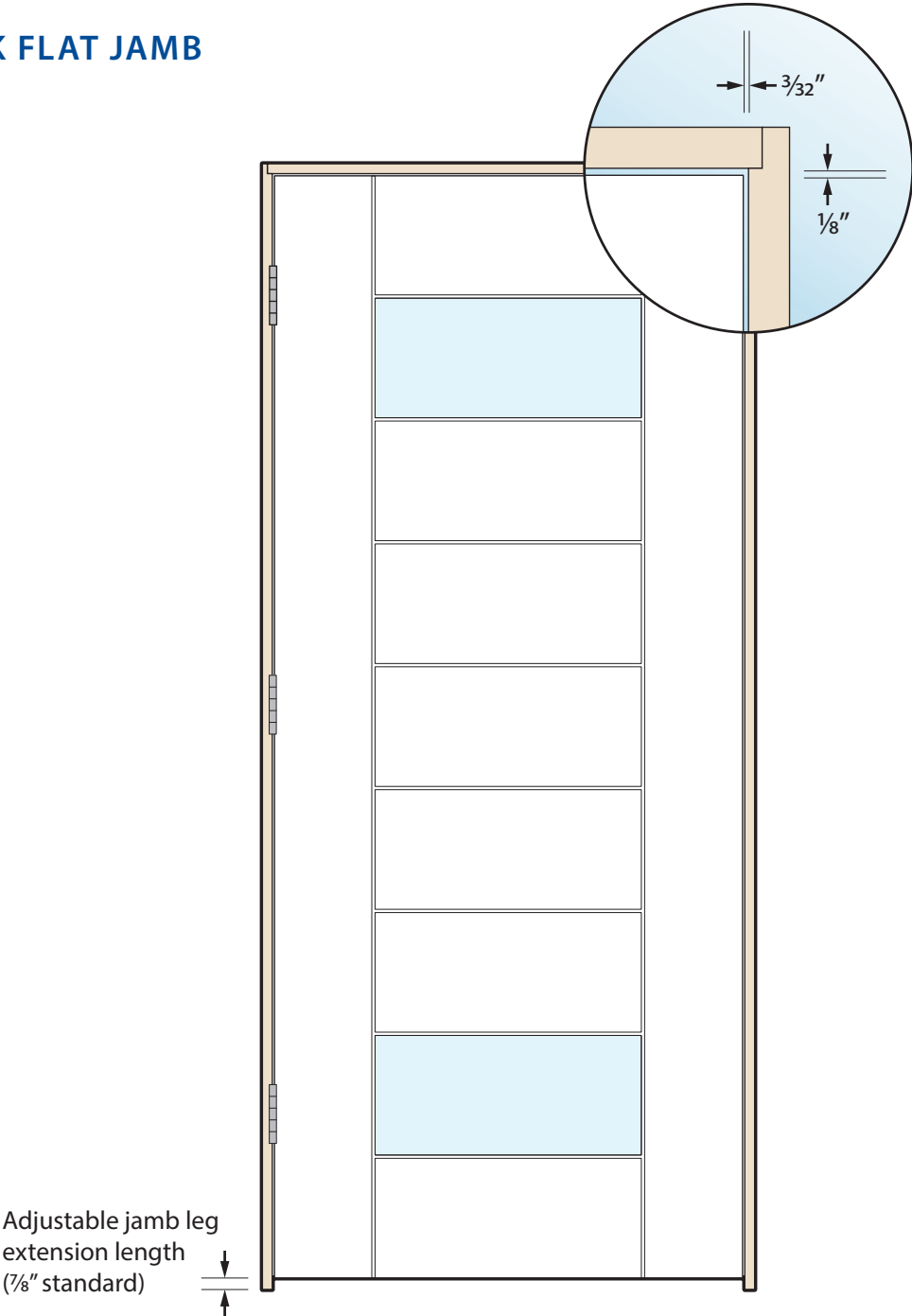
UL Listed Composite Outswing Sill



UL Listed ADA Sill

Single Unit

EXAMPLE 3/4" THICK FLAT JAMB



House-to-Garage Single Unit

STANDARD SINGLE RABBET JAMB

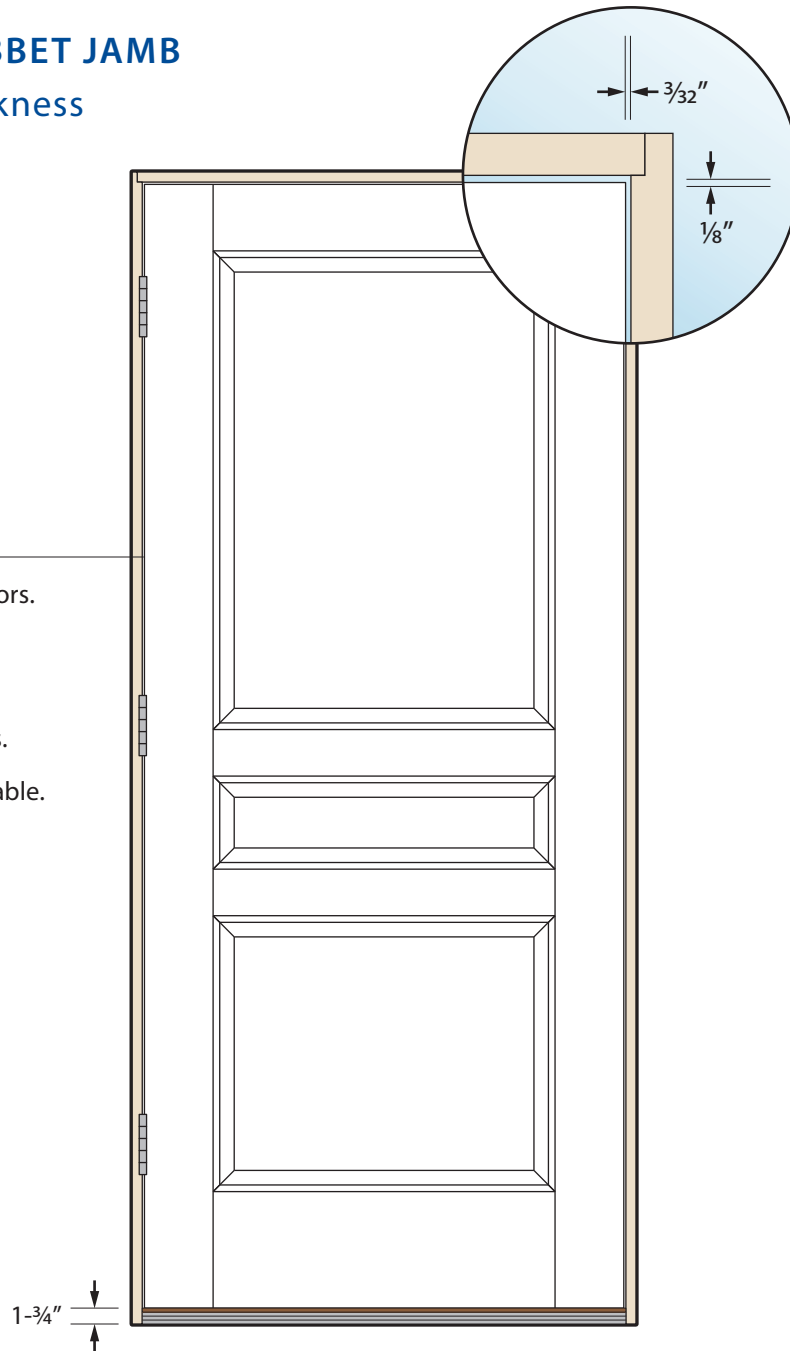
$\frac{3}{4}$ " Net $1\text{-}\frac{1}{4}$ " Overall Thickness

Includes kerf-in weatherstripping;
available in black, bronze or white colors.

Includes sill, see options on page 34.

Available with 20-min rated door and
jamb with UL listed self closing hinges.

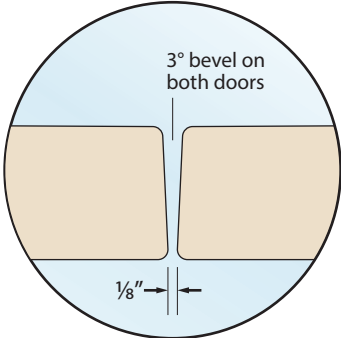
Non-rated jambs and doors also available.



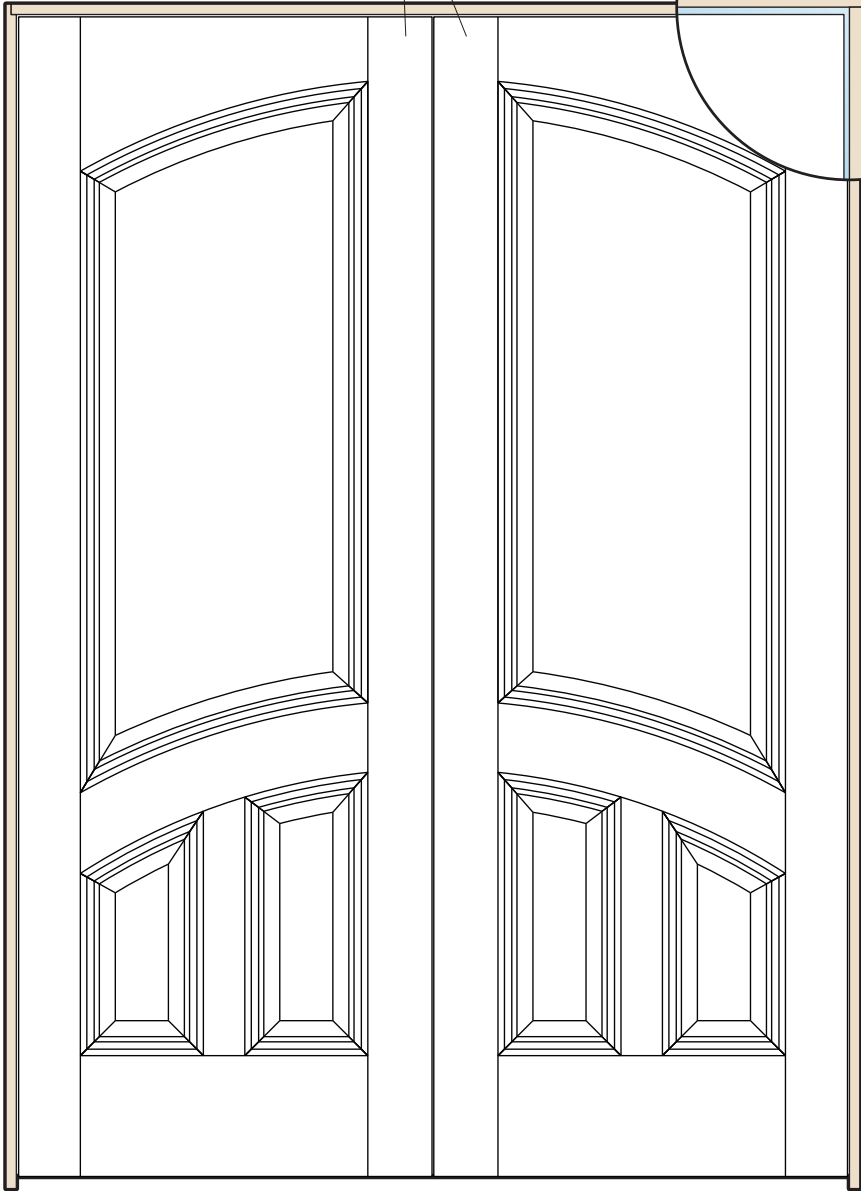
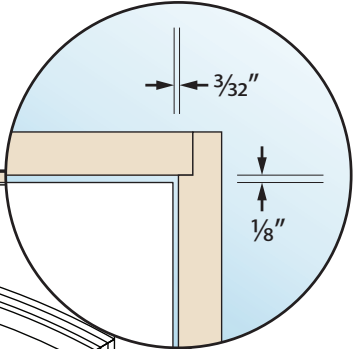
Center Meet Pair Unit

EXAMPLE 3/4" THICK FLAT JAMB

Includes ball catch installed at top of each door



Meeting door edges each have 3° bevel

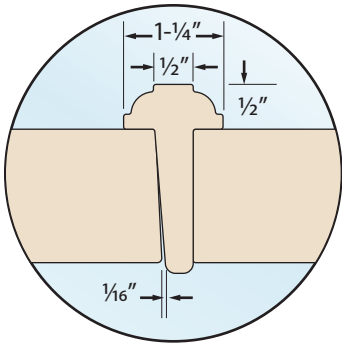


Adjustable jamb leg extension length (7/8" standard)

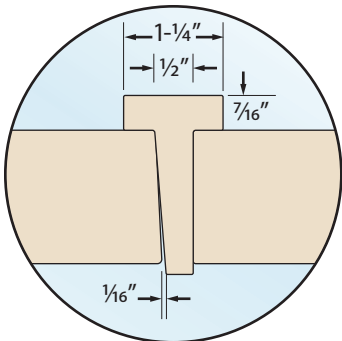
T-Astragal Pair Unit

EXAMPLE $\frac{3}{4}$ " THICK FLAT JAMB

Includes top, or top and bottom, flushbolt installed on inactive leaf

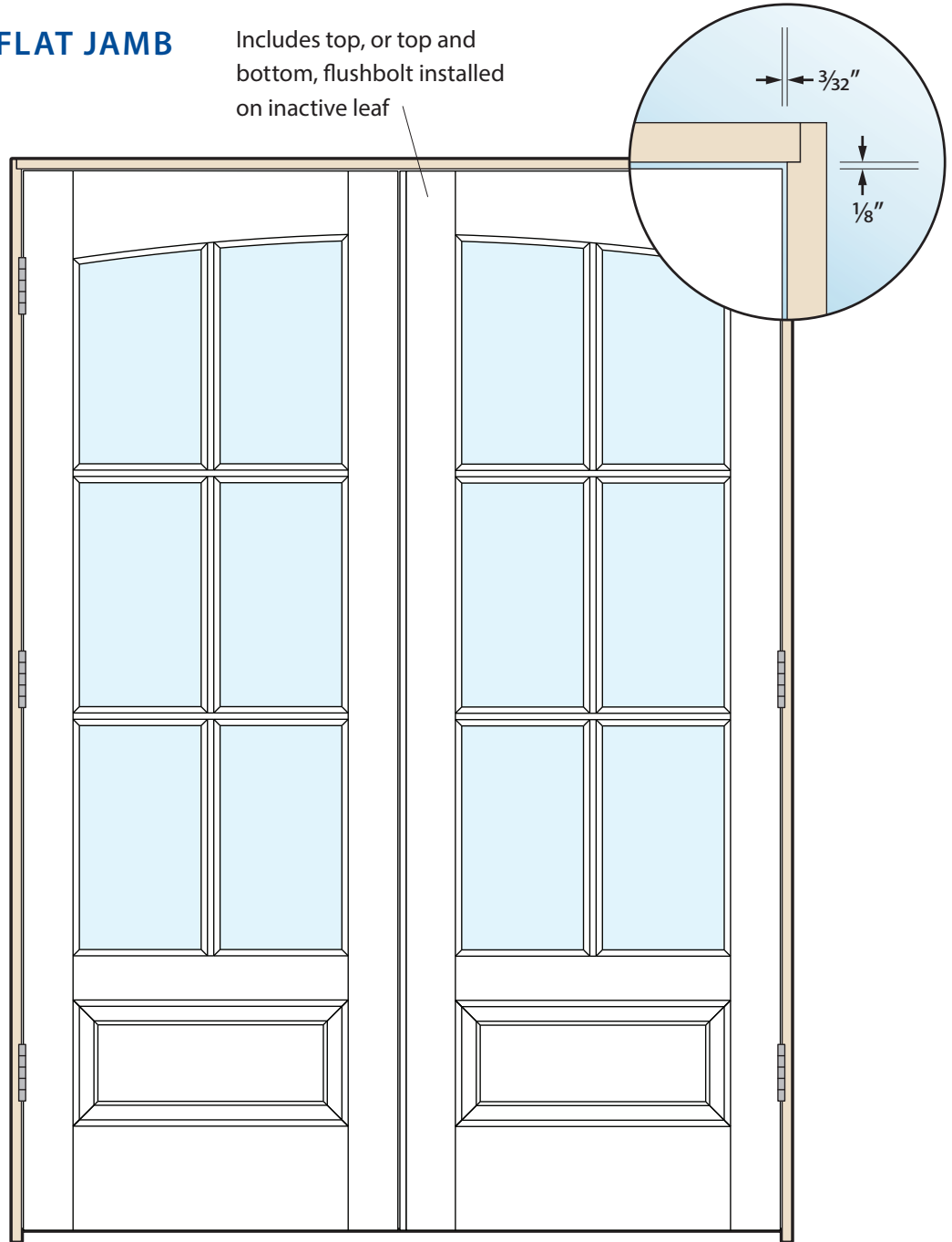


Traditional T-Astragal



Square T-Astragal

Adjustable jamb leg extension length
($\frac{7}{8}$ " standard)





TS6110 t-astragal pair of doors in MDF with Square Stick (SS) sticking and Flat (C) panel.

Design Tools

Design, Configure and Visualize Your Projects

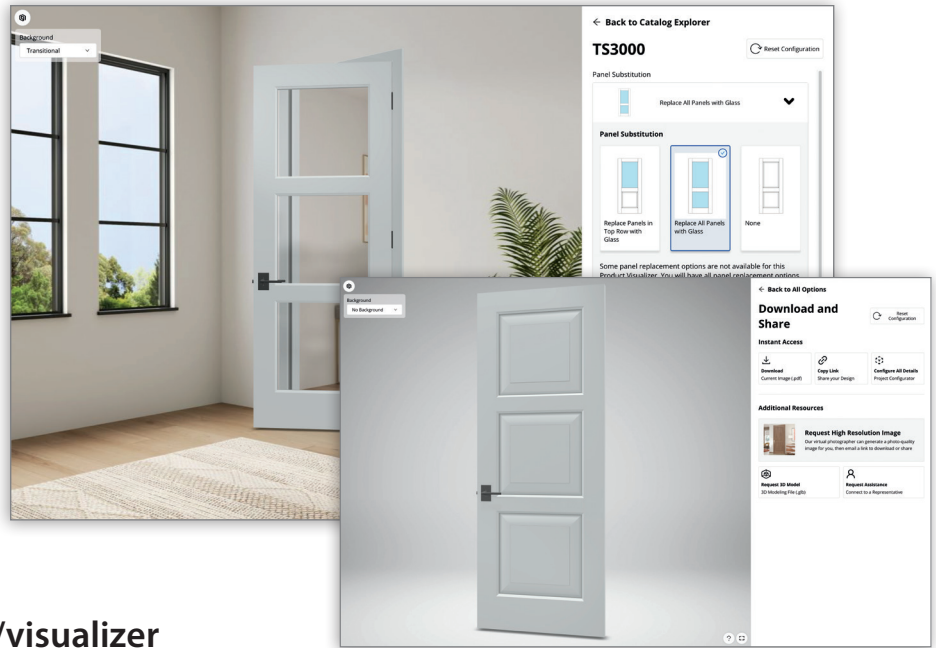
Door Visualizer

Imagine the possibilities for your home with the TruStile Door Visualizer. Customize your door's style and materials and see changes in real-time.

Share a link to your configured door with others or download a PDF tear sheet, high resolution image or 3D model for use in modeling programs.



www.trustile.com/visualizer



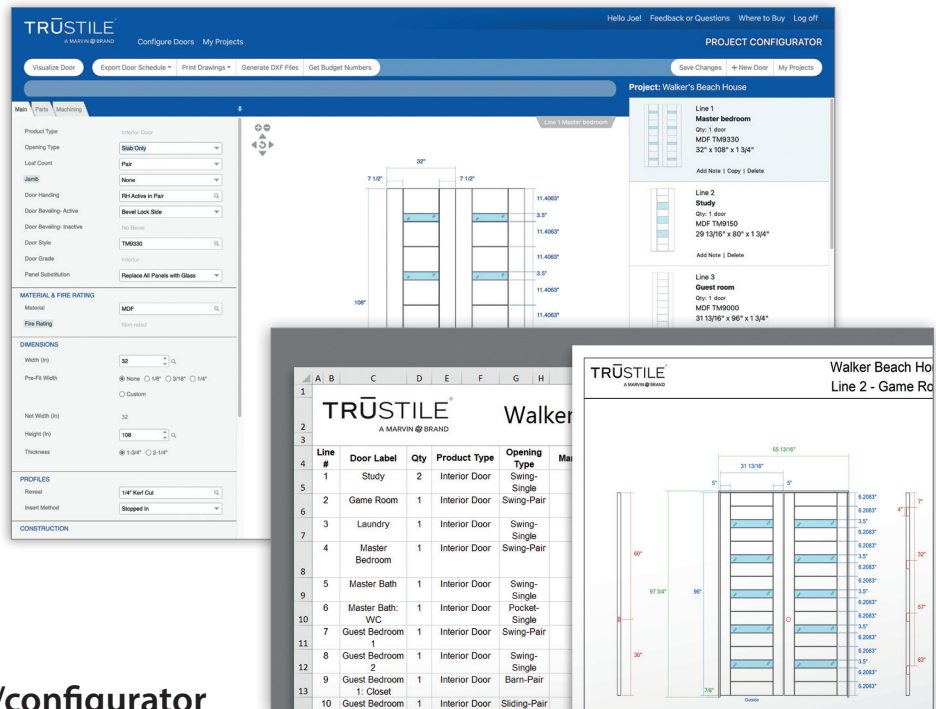
Project Configurator

Design your own door package. Specify the height, width and location of all components within a door and save to a project.

Project Configurator projects can be exported as a door schedule that opens directly in Microsoft® Excel, as a PDF of drawings or CAD models to import directly into your plans.



www.trustile.com/configurator





TMF5000 in MDF with
1/4" kerf cut reveals, and
projected jamb and door



TRUSTILE[®]
A MARVIN  BRAND

FOLLOW US



www.trustile.com

Front Cover

TMFG2012 in Mahogany with Slate finish and stopped-in White Lami glass. Flush-to-wall jamb with reveal.

Back Cover

TS4100 in MDF with S4S two-tiered, applied moulding with Flat (C) panel. Drywall return jamb.

TRUSTILE DOORS, LLC

1111 E. 71st Avenue
Denver, CO 80229
888.286.3931